

## CHAPTER VI

### A MAN AND HIS TOOLS

#### A Model Kit

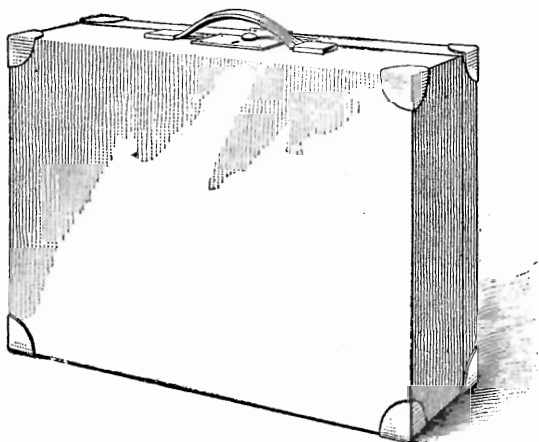


FIG. 1—TOOL KIT.

Very few mechanics realize that when they strike the boss for a job their kit of tools forms an index to their mechanical ability. The writer's experiences for a number of years in hiring men has proven this to be the rule: Good tools, good man; poor tools, poor man. A man with a well made

tool kit and tools which show signs of care will be found to take pride in his work and be capable of doing more than putting up an ordinary gutter and downspout.

When a floater applies for a job, notice his tools. He has, perhaps, just a hammer and a pair of shears. Every other tool he will borrow from some of the men. Only recently a case came to notice where four men were working together on a job with one prick punch between them, which was passed around from man to man as each required it, one having to wait till another was through with it. When the employer came around and noticed this condition he immediately bought four punches.

A tool kit should be large enough to hold all the tools a man requires and leave a little room for extras, such as solder, nails, soldering copper, etc. A kit that has been admired in every city where it was taken was made by the writer some years ago is shown in Fig. 1. Its construction is shown in Fig. 2. The body of the kit was made of No. 26 galvanized iron, 5 inches wide by 10 inches high and 14 inches long. The cover was made to hinge as shown, in the same manner as a leather suit case. The corners were made of brass sweated on. The pattern for the corner is also shown in Fig. 2. The handle and lock were purchased at a trunk store at a cost of 75 cents.

The kit was finished with jet black paint and has kept its shape remarkably well. It is still in use and is good for several more years' service. Such

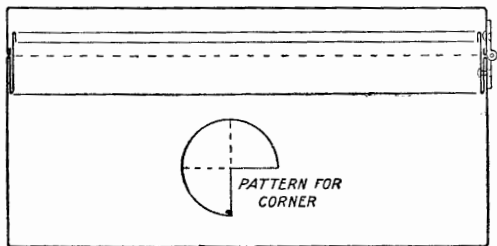


FIG. 2—SECTIONAL VIEW OF TOOL KIT.

a kit will hold a large amount of tools and will be found very convenient to carry. It also commends itself in riding on street cars, as it takes up very little floor space.

Some one may ask what constitutes a complete kit of tools. Here is a satisfactory list:

1 setting hammer.	2 rivet sets.
1 heavy hammer.	2 rivet punches.
1 pair straight shears.	1 prick punch.
1 pair circular shears.	1 scratch all.
1 pair compasses.	1 small monkeywrench.
1 pair plyers.	2 files.
1 screw driver.	1 scraper.
1 medium cold chisel.	1 small square.
1 small cold chisel.	1 chalk line.

Special tools, such as brace and bit, taps, keyhole saw, special punches and clamps, make a man all

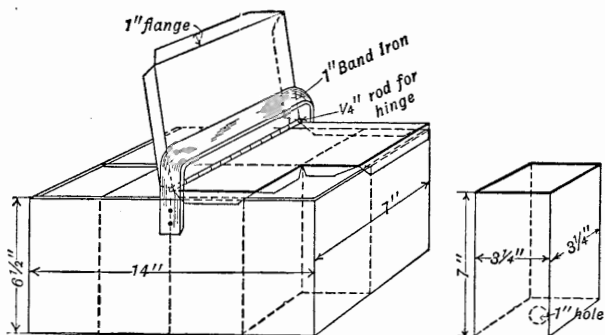
the more valuable. Soldering coppers, mallets, etc., are, of course, furnished by the shop.

A clean, careful mechanic is a credit to any sheet metal shop and will be found a paying advertisement, especially on residential repair work, where women have a holy horror of dirty plumbers and tinner's.

M. W. P.

### A Handy (Name It) Box

The accompanying sketch illustrates a new aid for the tinner, somewhat similar to an old-fashioned tool box. One section in a corner is partitioned



A HANDY TOOL BOX.

off to hold the acid cup; the rest of the space is filled with seven removable cans to hold such neces-

sary articles as nails, bolts, screws, rosin, flashing pins, rivets, roofing cement, etc.

These cans are made higher than the box that contains them, so that they can be readily taken hold of and removed from the nest when getting at their contents.

The covers drop automatically so that the contents remain protected from dirt or sudden showers. The part of the cover at the acid section is cut to leave that section exposed, and permit the acid fumes to escape so that they will not get at the other contents and cause them to rust. The bottom also has a one-inch hole punched in this section to make it self-cleaning.

One need only to raise the cover to see at a glance which of the articles need replacing before going to a job. A number of these (name it) about the shop will prove handy, prevent forgetting, and incidentally aid morality by eliminating the cuss words that escape when the paper package breaks and spills the contents where not wanted. S. B.