

SECTION X

Wire Reels
And
Wire Cutters

1819

Two in One

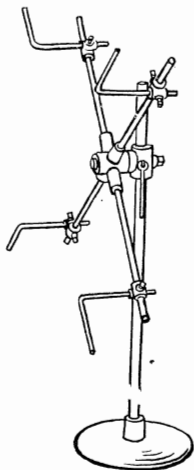
PEXTO

Pattern

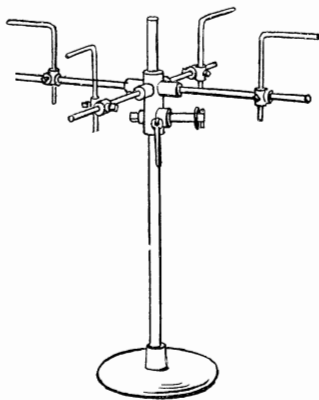
1919

WIRE REEL

No. 758



Vertical Position



Horizontal Position.

New Number	758
Code Word	Pextotwin
Old Number	11

Shipping Weight.....	approximately lbs.	50
Price		
Shipped securely packed, unboxed.....		

GENERAL DESCRIPTION.

The Reel, illustrated here, is made so that it can be used in a vertical or horizontal position. The Arms can be made of any length desired. As made they are of sufficient length to receive ordinary coils of wire and can be easily adjusted to receive smaller coils. Extensively in use for holding Coils of Box Strap, as well as Wire.

1819

Van Bramers

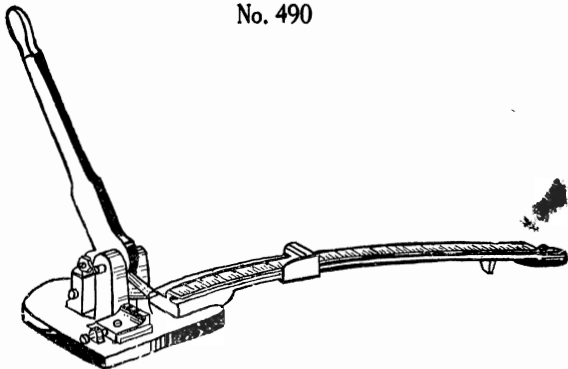
PEXTO

Pattern

1919

WIRE CUTTER

No. 490



New Number	490
Code Word	Pextobrame
Old Number	490
Weight	50 lbs.
Will cut Wire up to	1/4 diameter inches
Price	complete
Price Cutting Head, less Circular Attachment and Gauge	
Shipped boxed regularly	

NOTE—Unless otherwise specified, these machines will be shipped with Circular Attachment and Gauge.

GENERAL DESCRIPTION.

A simple, cheap, durable and economical machine for general Wire Cutting. It takes wire from the coil and gauges and cuts it to the desired length. It cuts smoothly and easily one-quarter inch wire as well as all smaller sizes from 2 to 60 inches in length. A Circular Attachment, graduated in inches and fractions with a smoothly polished surface and fitted with Adjustable Gauge, is provided. For Straight Wire Cutting this Circular Attachment is not needed.

Cut down Time, Save Labor and at the same time turn out More Work. That's what shops all over the land are doing, with PEXTO EQUIPMENT.



"Thirty-six Years of Service, and Still Going."

Duluth, Minn.

"I have one of your Squaring Shears which has been in constant use for thirty-six years I myself have been in the sheet metal business for fifty-two years."

J. HARMON.

"Another Satisfied User."

St. Louis, Mo.

"I have used your machines for a good many years and am well satisfied with the same"

J. PRINSTER.

"Best on the market."

Forth Worth, Texas.

"Have a number of your machines in our shop and we are satisfied that they are the best on the market today."

L. J. LEWIS.

Original Letters are on file with hundreds of others of a similar kind with
The Peck, Stow & Wilcox Company, Southington, Conn.

310
www.TheSheetMetalShop.Com Library