

SECTION P

Machine Standards

1819

Moldall

PEXTO

Pattern

1919

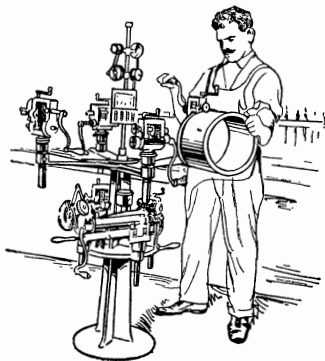
REVOLVING MACHINE STANDARD

No. 969



PEXTO

INNOVATION



**Get the Story
from These
Pictures**

See General Description Pages 236 237

233

www.TheSheetMetalShop.Com Library

1819

Holdall

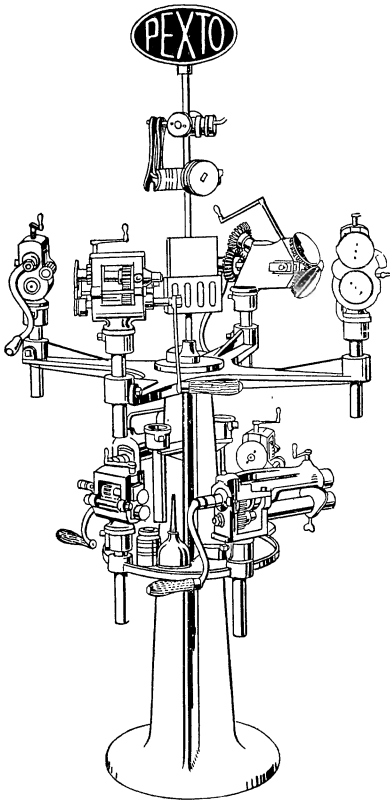
PEXTO

Pattern

1919

REVOLVING MACHINE STANDARD

No. 969

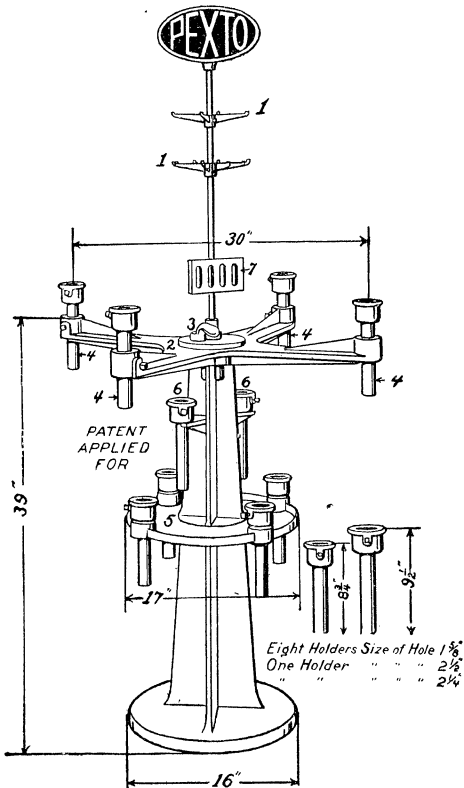


See General Description Page 236

1819 Holdall **PEXTO** Pattern 1919

REVOLVING MACHINE STANDARD

No. 969



Shipping Weight Lbs. 268

See General Description Page 236

REVOLVING MACHINE STANDARD

No. 969

Illustration, Page 234 235

GENERAL DESCRIPTION.

Seven of the many big features in PEXTO new Holdall Revolving Machine Standard are numbered on illustration, Page

Study them carefully, then size up the conditions in your own shop and see how profitably you can apply this new Standard to the requirements of your own business.

The savings in depreciation through rough handling of the bench machines you may have in use will more than pay for the cost of this Standard in a short time; in addition to gaining the advantages described below and at the same time modernizing your shop equipment.

FEATURES.

- No. 1—A place for everything and everything in its place. How many times have you delayed that rush job owing to misplacing a roll you could not find when needed the most, or how much valuable time have you consumed in locating a face wrench at each time it was necessary to change a roll.
- No. 2—A Revolving Turret holding four machines. Four operations can be completed without changing positions. Four machines always ready for action and to be found in good condition when their use is required. Designed with ample room for accommodating from one to four operators.
- No. 3—Hand Lever for holding Revolving Turret in a fixed stationary position.
- No. 4—Adjustable Machine Holders that raise, lower or swivel for suiting operating convenience of machines for the short and tall operator as well as the work in process. Working away from the Standard with approximately forty inches more or less (according to adjustment of Machine Holder) from the floor to working edge of rolls of machine is a direct advantage in working large members, a recognized feature not to be found in the old machine standard used on a wooden bench of a fixed height.
- No. 5—Lower Stationary Turret for holding four additional machines arranged for quickly interchanging with any machine set in upper Revolving Turret. This Lower Turret also provides for a handy shelf holding oil can, tools, etc., which are used in connection with equipment mounted.

1819

Holdall

PEXTO

Pattern

1919

No. 6—Two additional reserve Machine Posts, out of the way, supported on brackets to hold any large bench machine that will not fit in Holders provided for the smaller machines.

Ten Posts in all go with each Standard.

No. 7—A handy Rack for holding Pexto Catalogue—A book that every worker in tin and sheet metal should have near him for quick reference. Its pages include valuable reference tables and most important of all it shows every Pexto Tool and Machine for the Metal Worker with a full description of each and an outline of the work it does and the way it does it.

Every shop is cramped for bench room while floor space is always available.

Using this modern method of Bench Machine operation you receive the direct benefit of all features described above in a Revolving Standard that will receive eight of any bench machines that now fit in the old-fashioned bench machine standard, this modern Standard with eight machines utilizing a floor space of only thirty inches in diameter.

Wherever installed the practice of taking down and putting up machines many times a day—throwing them under the bench when it is desired to utilize bench room for some other purpose, only to find some part broken when you wish to use them again—is a true condition in the average shop, which the Holdall Revolving Machine Standard entirely eliminates.



The Trade Mark associated with
P. S. & W.,
Makers of
High Grade Tools and Machines.

1819

100% American

PEXTO

100 Years

1919

MACHINE STANDARDS



Regular Offset No. 975.



Wiring Offset No. 976.



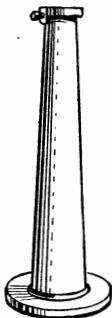
Extra Heavy Standards Nos. 977 and 978.

New Number	975	976	977	978
Code Word				
Old Number				
Shipping Weight..... .lbs	10½	11	23	24
Size Hole..... .inches	1½	1½	2¼	2½
Height over all from Bench..... .inches	9¾	9¾	10¼	9¾
Price				

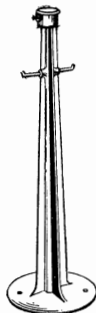
NOTE—In making Machine Standard substitutions, deduct full price of Standard as regularly furnished with the machine and add full price of Standard required. When ordering Standards separate from machines mention Diameter of Machine Stem, if same does not correspond to Hole Dimensions given.

MACHINE STANDARDS

Nos. 979 and 984



Heavy Floor Standard
No. 979



Light Floor Standard
No. 984

New Number	979	984
Code Word	Pextofloor	Pextoflour
Old Number		
Shipping Weight.....	approximately lbs	90
Size Hole.....	inches	2¼ and 2½
Height Over All from Floor.....	inches	39
Price		39

NOTE—In making Machine Standard substitutions, deduct full price of Standards, as regularly furnished with machines, and add full price of Standard Required.

GENERAL DESCRIPTION

Bench Machines having Stems larger than 1½ inches will fit in Heavy Floor Standard No. 979, but the Hole required for fitting the machine in use must be specified. If correct number of the machine for which Floor Standards are required is given, size of Hole for Floor Standard is not necessary. The Light Floor Standard No. 984 has a 1½-inch Hole and will receive small machines having Stems of corresponding dimensions. When correct numbers of machines are given, Hole Dimensions are not necessary.