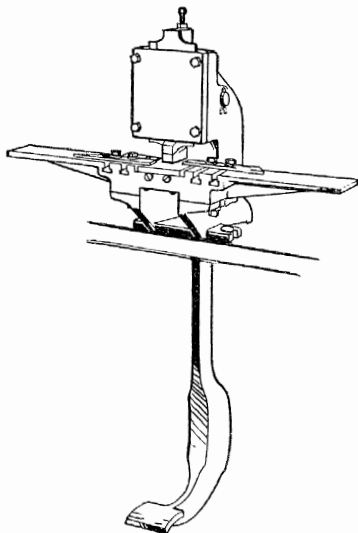


SECTION E

Notching Machines  
And  
P r e s s e s

## NOTCHING MACHINE

No. 737A



Capacity—No. 20 Gauge Iron and Lighter.

New Number	737 A
Code Word	Pextopensy
Old Number	737

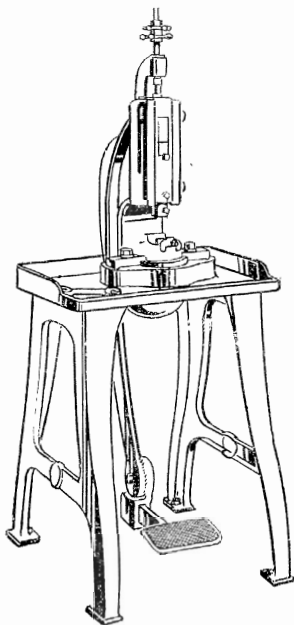
Shipping Weight.....	approximately lbs.	175
Size Regular Dies.....	inches	1x2
Capacity for receiving Special Dies up to.....	inches	2x2
Length Gauge Supporting Arms.....	inches	19
Price .....		
Shipped boxed regularly.....		

NOTE—Furnished complete with one set Regular Dies and full equipment of Supporting Gauge Arms and Gauges. Special Dies quoted on application.

## GENERAL DESCRIPTION.

An exceedingly well constructed, pendulum lever Notching Machine intended for notching blanks of Pieced Sheet Metal Ware, for cutting the corners of Square Pans and Hinge Notches of Boxes and similar work. Dies are made in sections, so that they may be easily sharpened and reset. Dies and Punch are made from Jessop Tool Steel, scientifically hardened and tempered. A most convenient Notching Machine of high-grade quality for bench use.

TREADLE PRESS



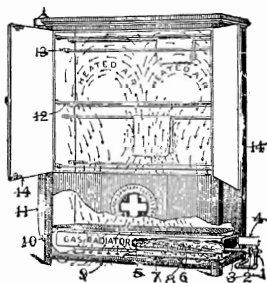
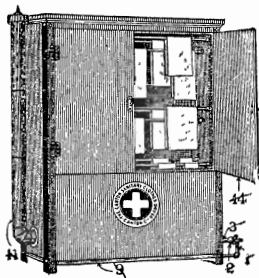
Inquiries pertaining to Presses should be explicit, mentioning the Gauge Material to be used and Dimensions of the work given. On receipt of full particulars, the most suitable Press will be recommended and illustration with specifications submitted.

# A GROWING INDUSTRY

## SHEET METAL VERSUS WOOD

OR

Another Household Convenience made possible by the use of Sheet Metal.



A Sheet Metal Self-Contained Clothes Dryer for Residence Use.