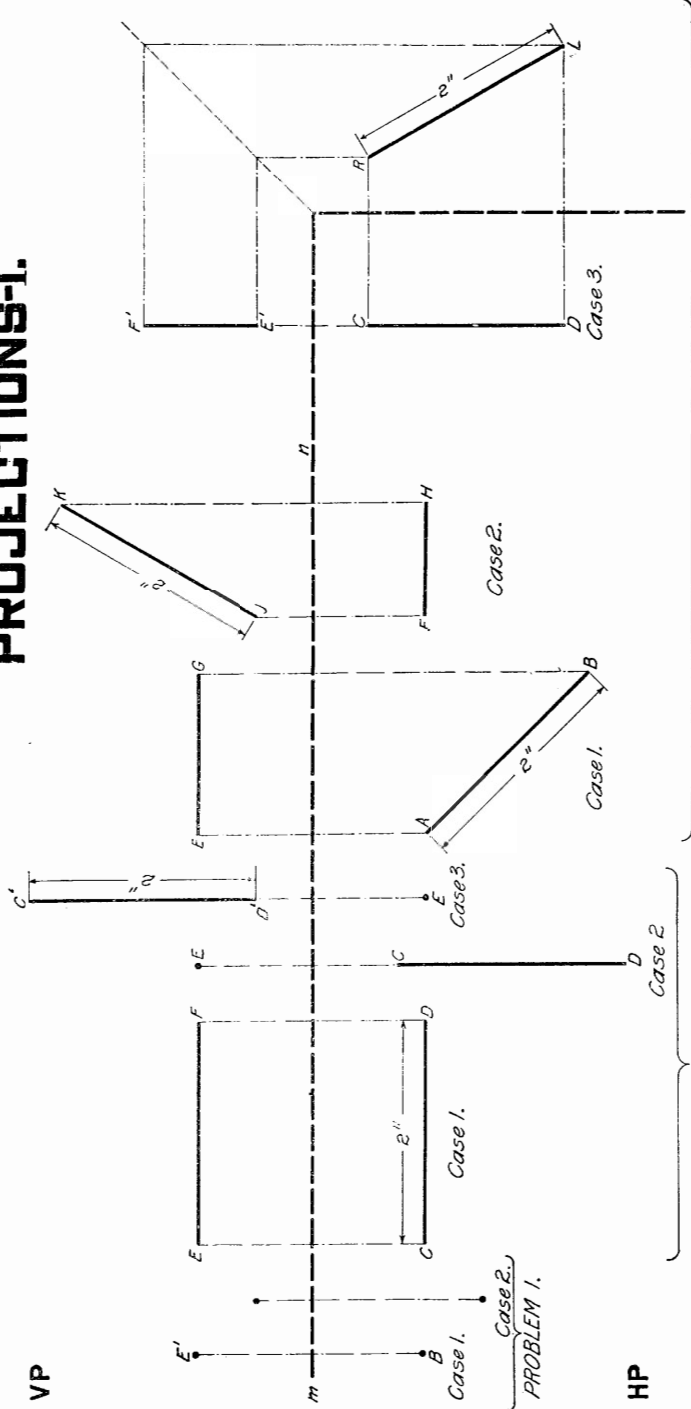


# PROJECTIONS-I.

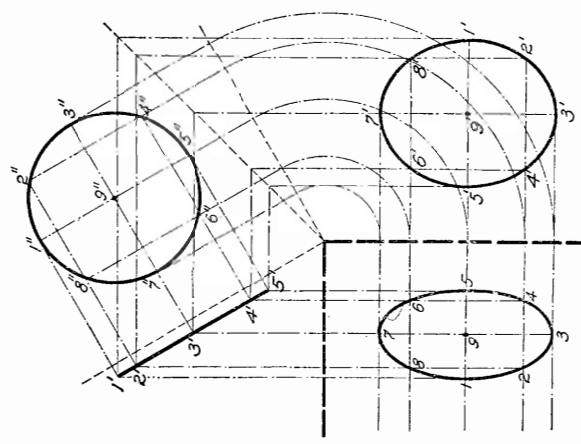
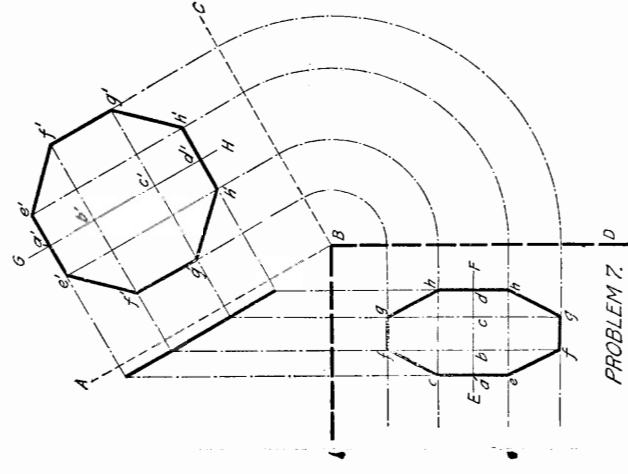
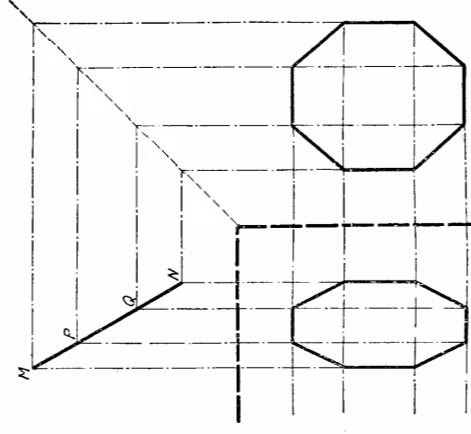
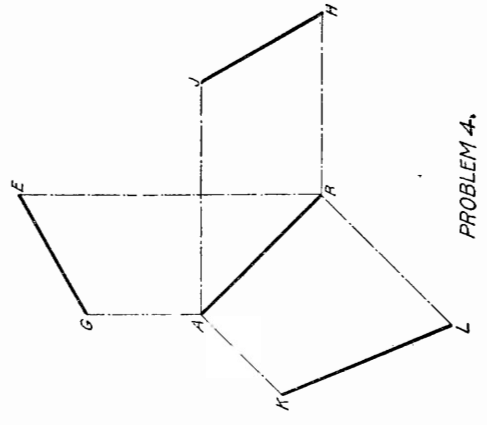
VP

HP



**PROBLEM 2.**

**PROBLEM 3.**



**PROBLEM 5.**

**PROBLEM 6.**

**PROBLEM 7.**

**PROBLEM 8.**